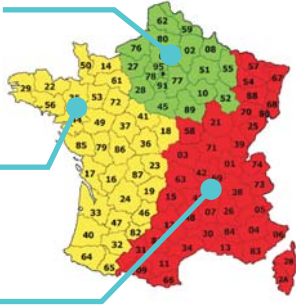
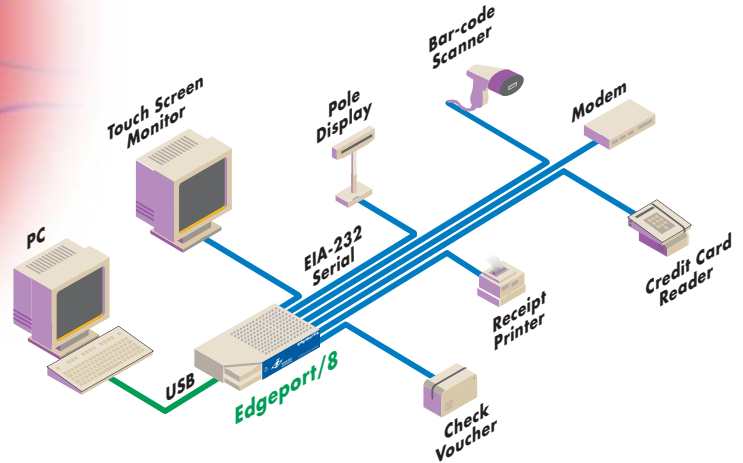


AIRICOMIle de France
Paris et Nord65 rue de la Libération - 60710 Chevrières
tél 03.44.91.04.14 - fax 03.44.91.04.15
www.airicom.com - info@airicom.com**AURECOM**Bretagne et
Grand OuestLa Ville Cognac - 56430 Mauron
tél 02.97.22.79.72 - fax 02.97.22.90.51
www.aurecom.fr - info@aurecom.fr**RG2i**Rhône Alpes
Est et Sud-est26 rue Bergson - 42000 Saint Etienne
tél 04.77.92.03.56 - fax 04.77.92.03.57
www.rg2i.com - info@rg2i.fr**Votre interlocuteur**Groupe **2AR**

Edgeport®

USB-to-Serial Converters

Edgeport offers an easy out-of-the-box solution for I/O expansion and is available in a wide variety of configurations for maximum flexibility and scalability.



Features/Benefits

- > Add one, two, four, eight, 12 or 16 serial ports to a PC, thin client or server in minutes
- > Unmatched operating system support includes Windows NT 4.0, CE, 2000, XP and more
- > Multi-interface, software selectable MEI, USB PowerPlus, industrial, compact and metal versions
- > Lower total cost of ownership with external, user-installable solution
- > Ideal for point-of-sale, mobile computing, industrial automation, medical and more

Overview

Edgeport USB-to-serial converters offer instant I/O expansion for peripheral device connectivity. An out-of-the-box (external) alternative to PCI cards, Edgeport makes it easy to add serial, USB or parallel ports to a PC, server or thin client in minutes – without opening the chassis, reconfiguring or rebooting the system. EdgeUSB technology, shipping with Edgeport since 1998, adds Plug-and-Play USB compatibility to Windows® NT and Windows NT Embedded systems – an industry first.

Edgeport is available in multiple configurations for maximum flexibility and scalability. Choose from compact form factors for space-prohibitive applications; single port “bump-in-the-cable” solutions for notebook expansion; software-selectable MEI (EIA-232/422/485 multi-electrical interface) versions to connect any type of serial device to one box; metal enclosures for rugged applications; and DB-9, DB-25 or RJ-45 connectors to meet cabling requirements. Accessories include Edgeport/E USB Ethernet adapter, rack mount kits, PCI to USB 1.1 card and USB cables.

Feature-rich design, reliability and unmatched operating system support make Edgeport USB-to-serial converters ideal for any mission-critical enterprise application. Integrators and end users around the globe rely on Edgeport for peripheral device connectivity in retail stations, self check-out systems, emergency vehicles, kiosks, ATMs and more.

Inside Out Networks, a Digi International company, is the leader in enterprise USB connectivity. Digi International, the leader in Connectware, makes device networking easy by developing products and technologies that are cost-effective and easy to use. With over 20 million ports shipped worldwide, Digi has been offering the highest levels of performance, flexibility, and quality since 1985.

www.ionetworks.com

Connectware™



Making
DEVICE NETWORKING
easy™

Features/Specifications

FEATURES

- USB 1.0 and 1.1 compatible; backwards compatibility for 2.0
- USB-IF certified
- Plug-and-Play
- Baud rate: to 230Kbps per serial port simultaneously
- Automatic port reacquisition
- COM port assignments maintained across reboots
- Full hardware and software flow control
- Tri-state LED displays device status and COM port activity
- No additional IRQ or memory address requirements
- Low power consumption
- Rack mountable
- Hot-swappable
- One-meter USB cable included (unless otherwise specified)
- Bulk packaging and customized cabling options
- Multiple versions available for maximum flexibility and scalability

Edgeport Serial

- One, two, four, eight, 12 or 16 EIA-232 serial ports
- DB-9, DB-25, RJ-45 connectors
- Versions with onboard USB hub (four ports)

Edgeport Compact

- Two versions with DB-9 connectors
 - Two EIA-232 serial ports
 - Two EIA-232 serial, two USB ports
- Captive two-meter cable for secure connection in rugged environments like mobile computing
- Smaller form factor and lower cost per port than standard Edgeport

Edgeport Industrial

- One, two, four or eight serial ports with DB-9 connectors
- EIA-232, -422 and -422/485
- Software selectable EIA-232/422/485 MEI

Edgeport Metal

- Two or four serial ports with DB-9 connectors
- Aluminum chassis
- Designed for rugged environments like emergency vehicles and restaurant kitchens

- Rack mount brackets for added security
- ### Edgeport Multi-Interface
- Two versions with DB-9 connectors
 - Two EIA-232 serial; 1 parallel printer port
 - Four USB, two EIA-232 serial, 1 parallel printer port
 - Ideal for workstations or thin clients

Edgeport USB Plus

- Four powered USB, two EIA-232 serial ports with DB-9 connectors
- Connect standard USB, powered USB and legacy serial devices to one box
- Cable locking mechanisms ensure secure connection for peripheral devices
- Part of Digi's USB Plus Series (visit Web site for more information)

Edgeport/E USB Ethernet Adapter

- USB to RJ-45
- Add a PC or laptop to a 10/100 Base-T Ethernet in minutes
- Data transfer rates up to 10Mbps
- Bus-powered

ENVIRONMENTAL

- Ambient temperature: 32° F to 131° F (0° C to 55° C)
- Relative humidity: 0% to 95% (non-condensing)

OPERATING SYSTEMS

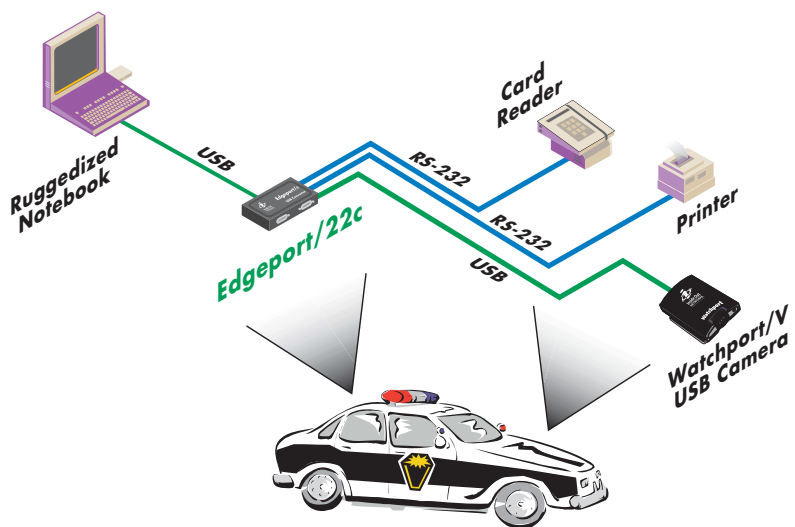
- Windows® XP, Windows XP Embedded
- Windows NT® 4.0, Windows NT Embedded
- Windows CE
- Windows 2000
- Windows Me
- Windows 98/SE
- Windows 95
- Windows Server™ 2003
- Linux
- Sun Solaris (SPARC)

REGULATORY APPROVALS

- FCC Part 15, Class B
- CE
- EN55022
- EN55024
- EN60950
- UL 1950
- CSA 2.2 No. 950
- IEC-950

POWER REQUIREMENTS

- External power supply not required for versions without USB ports (USB-powered)
- Versions with USB ports (Edgeport/421, 416, 412, 42+) ship with plug-mounted power supply: 120/230VAC 60/50Hz at 5Vdc @3Amps max



Edgeport/E, 1, 1i,

- Length: 3.15 in (8.0 cm)
- Width: 1.75 in (4.4 cm)
- Height: 0.80 in (2.03 cm)
- Weight: 1.6 oz (45.36 g)



Edgeport/2m, 4m

- Length: 4.35 in (11.05cm)
- Width: 7.2 in (18.29 cm)
- Height: 1.03 in (2.61 cm)
- Weight: 10.0 oz (311.0 g)



Edgeport/2c, 22c

- Length: 2.38 in (6.04 cm)
- Width: 4.94 in (12.55 cm)
- Height: 1.0 in (2.54 cm)
- Weight: 5.0 oz (141.75 g)



Edgeport/412, 412/DB-25, 416, 416/DB-25, 8/DB-25

- Length: 5.0* in (12.7cm)
- Width: 17.0** in (43.118 cm)
- Height: 1.8 in (4.53 cm)
- Weight: 41.3 oz (1170.84 g)

*8.63 in (21.92 cm) with optional mounted power supply tray

** 19.0 in (48.26 cm) with optional rack mount ears



Edgeport/4/DB-25, 42+, 8, 8i

- Length: 4.35 in (11.05 cm)
- Width: 7.2 in (18.29 cm)
- Height: 1.75 in (4.45 cm)
- Weight: 16.0 oz (453.59 g)



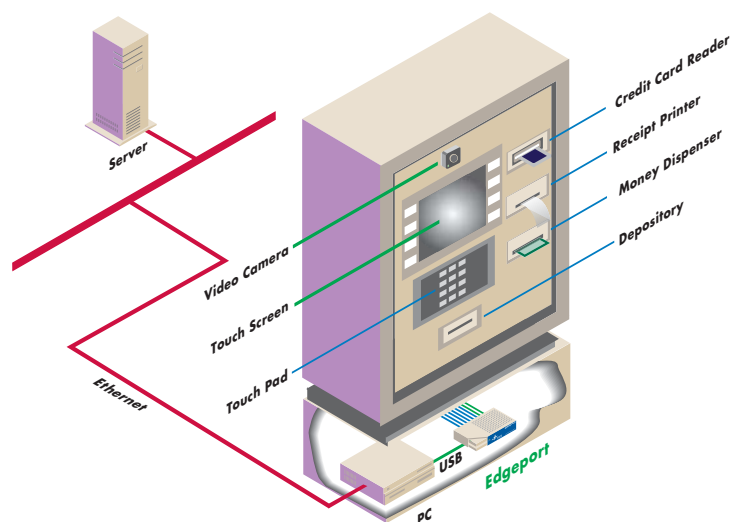
Edgeport/2, 2i, 2+2i, 21, 4, 4i, 4s MEI, 421, 8r

- Length: 4.35 in (11.05 cm)
- Width: 7.2 in (18.29 cm)
- Height: 1.03 in (2.61 cm)
- Weight: 10.0 oz (311.0 g)



Applications

- Retail/Point-of-Sale
- Mobile computing
- Medical
- Financial
- Hospitality
- Industrial Automation



Features/Specifications

MODEL.....PART NUMBERS

Model	North America	International
Edgeport Serial		
Edgeport/1 (1 serial DB-9)	301-1001-11	301-1001-11
Edgeport/1 25-Unit Bulk Pack (25 ea. 301-1001-11)	301-1001-21	301-1001-21
Edgeport/1 100-Bulk Pack (100 ea. 301-1001-11)	301-1001-22	301-1001-22
Edgeport/1 Captive Cable (1 serial DB-9, attached 2m USB cable)	301-1001-15	301-1001-15
Edgeport/2 (2 serial DB-9)	301-1000-02	301-1000-02
Edgeport/4 (4 serial DB-9)	301-1000-04	301-1000-04
Edgeport/4/DB-25 (4 serial DB-25)	301-1016-01	301-1016-01
Edgeport/412 (4 USB, 12 serial DB-9)	301-1004-12	301-2004-12
Edgeport/412/DB-25 (4 USB, 12 serial DB-25)	301-1016-12	301-2016-12
Edgeport/416 (4 USB, 16 serial DB-9)	301-1000-10	301-2000-10
Edgeport/416/DB-25 (4 USB, 16 serial DB-9)	301-1016-16	301-2016-16
Edgeport/8 (8 serial DB-9)	301-1002-08	301-1002-08
Edgeport/8/DB-25 (8 serial DB-25)	301-1016-08	301-1016-08
Edgeport/8r (8 serial RJ-45)	301-1002-14	301-1002-14
Edgeport Compact		
Edgeport/2c (2 serial DB-9, captive 2m USB cable)	301-1003-10	301-1003-10
Edgeport/22c (2 serial DB-9, 2 USB, captive 2m USB cable)	301-1003-30	301-1003-30
Edgeport Industrial		
Edgeport/1i (1 EIA-422/485 serial DB-9)	301-1001-31	301-1001-31
Edgeport/2i (2 EIA-422/485 serial DB-9)	301-1000-12	301-1000-12
Edgeport/2+2i (2 EIA-232 serial, 2 EIA-422 serial DB-9)	301-1022-04	301-1022-04
Edgeport/4i (4 EIA-422 serial DB-9)	301-1000-24	301-1000-24
Edgeport/8i (8 EIA-422 serial DB-9)	301-1000-28	301-1000-28
Edgeport/4s MEI (4 EIA-232/422/485 software selectable)	301-1000-94	301-1000-94
Edgeport Metal		
Edgeport/2m (2 serial DB-9, metal chassis)	301-1000-80	301-1000-80
Edgeport/4m (4 serial DB-9, metal chassis)	301-1000-81	301-1000-81
Edgeport Multi-Interface		
Edgeport/21 (2 serial DB-9, 1 parallel)	301-1000-21	301-1000-21
Edgeport/421 (4 USB, 2 serial DB-9, 1 parallel)	301-1004-21	301-2004-21
Edgeport USB Plus		
Edgeport/42+ (4 powered USB, 2 serial DB-9)	301-1001-42	301-2001-42
Accessories		
Edgeport/E (USB Ethernet adapter)	301-1050-01	301-1050-01
USB 1.1 Upgrade Kit (PCI to USB 1.1 card)	301-1101-01	301-1101-01
1-Meter USB Cable (A to B USB cable, 3.3 ft)	301-9000-01	301-9000-01
2-Meter USB Cable (A to B USB cable, 6.6 ft)	301-9000-07	301-9000-07
3-Meter USB Cable (A to B USB cable, 9.8 ft)	301-9000-06	301-9000-06
4-Meter USB Cable (A to B USB cable, 13 ft)	301-9000-10	301-9000-10
5-Meter USB Cable (A to B USB cable, 16.4 ft)	301-9000-02	301-9000-02
USB Repeater/Extender Cable A to A extender, 16.4 ft)	301-9002-01	301-9002-01
USB to Parallel Printer Cable (1.8 m, 6 ft)	301-9006-01	301-9006-01
Rack Mount Kit (19" shelf)	301-9001-01	301-9001-01
Small Shelf Mount Bracket (mounts Edgeport/4-sized boxes to wall or shelf)	301-9003-01	301-9003-01
Large Shelf Mount Bracket (mounts Edgeport/8-sized boxes to wall or shelf)	301-9004-01	301-9004-01

Serial ports are EIA-232 unless otherwise specified.

Bulk packs include one copy of software and documentation with limited use reproduction license.



Digi[®]
Connectware[™]



<p>Votre interlocuteur</p>	<p>Bretagne et Grand Ouest</p> <p>AURECOM</p> <p>La Ville Cognac - 56430 Mauron tél 02.97.22.79.72 - Fax 02.97.22.90.51 Internet: www.aurecom.fr E-mail: aurecom@aol.com</p>	<p>Paris, Ile de France et Nord</p> <p>AIRICOM</p> <p>65 rue de la Libération - 60710 Chevières tél 03.44.91.04.14 - Fax 03.44.91.04.15 Internet: www.airicom.com E-mail: info@airicom.com</p>	<p>Rhône Alpes, Est et Sud-est</p> <p>RG2i</p> <p>26 rue Bergson - 42000 Saint Etienne tél 04.77.92.03.56 - Fax 04.77.92.03.57 Internet: www.rg2i.com E-mail: info@rg2i.fr</p>
-----------------------------------	--------------------------------------------------------------------------------------------------------------------------------------------------------------------------------------------------------	--------------------------------------------------------------------------------------------------------------------------------------------------------------------------------------------------------------------------	----------------------------------------------------------------------------------------------------------------------------------------------------------------------------------------------------------