

- GSM/GPRS packet transmission
- Integral GSM 900/1800 modem
- "1-Wire" input for Dallas Buttons
- Serial communication port for external devices (RS 232/422/485), isolated
- Automatic login onto GPRS network
- Support for MODBUS RTU Master and Slave protocols
- Transparent, intelligent mode
- Packet routing
- Removable terminal blocks
- Easy configuration software



Designed according to the latest technologies Telemetry Module MT-201 is a professional, wireless GSM/GPRS communication gateway for serial protocols typical in industrial automation systems. Main purpose of the MT-201 is a wireless data transmission between multiple remote components of monitoring or control system with automatic conversion (encapsulation) of serial protocols to GPRS packets.

Compact design, integral GSM/GPRS modem and support for MODBUS RTU protocol and transparent transmission modes makes MT 201 an ideal choice both for small, point-to-point, and scalable, multi-node, professional data acquisition systems.

Resources

- Integral GSM 900/1800 modem
- Isolated serial port RS232/485/422
- "1-Wire" input for Maxim i-Buttons
- Diagnostic LED's (status, GSM transmission activity, GSM signal level, GPRS activity, serial communication activity)

Functionality

- Transmission modes:
 - GPRS - packet transmission
 - CSD - circuit switched data transmission (modem mode only)
- Protocols emulated on serial port in GPRS mode:
 - MODBUS RTU (Master and Slave)
 - Transparent intelligent modem
 - Other protocols on request
- Smart MODBUS RTU routing
- Channel reservation for transparent mode
- Multibroadcast or packet routing for transparent mode
- Frame size or timeout as delimiter in transparent mode
- Local or remote (via GPRS) configuration
- Configurable access security - IP and Tel# list, optional password
- "Watch-dog" hardware protection
- DIN rail mounting
- Power supply 12/24V DC, 24 V AC
- Removable terminal blocks



General

Dimensions(length x width x height)	105x86x60 mm
Weight	300 g
Fixing	DIN Rail 35mm
Operating temperature	-20 ... +55°C
Protection class	IP40
Maximum voltage between any contact and device ground	60Vrms max.

GSM/GPRS Modem

Modem type	WISMO Quick
GSM	Dual Band GSM/GPRS module EGSM900/1800
Frequency range (EGSM 900 MHz)	Transmitter: from 880 MHz to 915 MHz Receiver: from 925 MHz to 960 MHz
Output power (EGSM 900 MHz)	33 dBm (2W) - stacja klasy 4
Frequency range (EGSM 1800 MHz)	Transmitter: from 1710 MHz to 1785 MHz Receiver: from 1805 MHz to 1880 MHz
Output power (EGSM 1800 MHz)	30 dBm (1W) - stacja klasy 1
Modulation	0,3 GMSK
Channel spacing	200 kHz
Antenna	50Ω

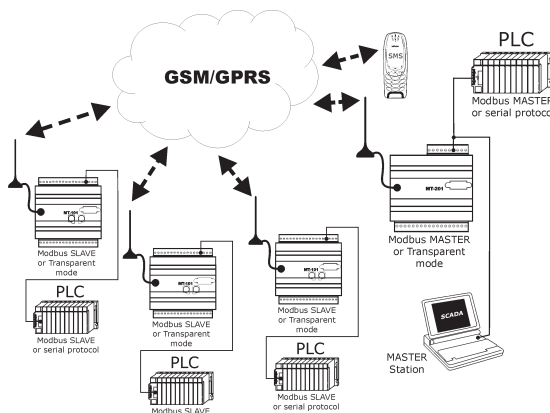
Power supply

DC (12V, 24V)	10,8 ... 36 V
AC (24V)	18...26,4 Vrms
Input current (A) (for 12V DC)	Idle 0,10 Active 0,35 Max 0,60
Input current (A) (for 24V DC)	Idle 0,05 Active 0,17 Max 0,30

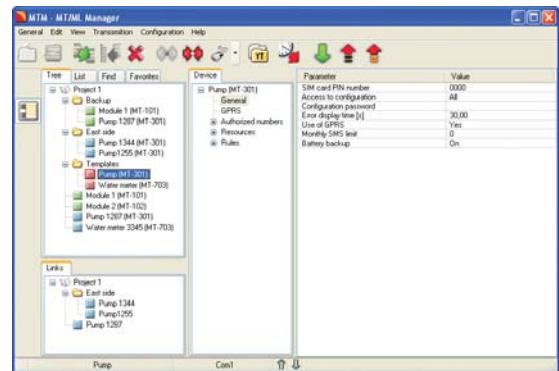
1-Wire input

Accepted i-Buttons	Maxim DS1990A
--------------------	---------------

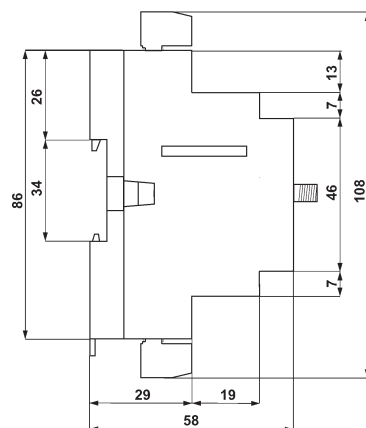
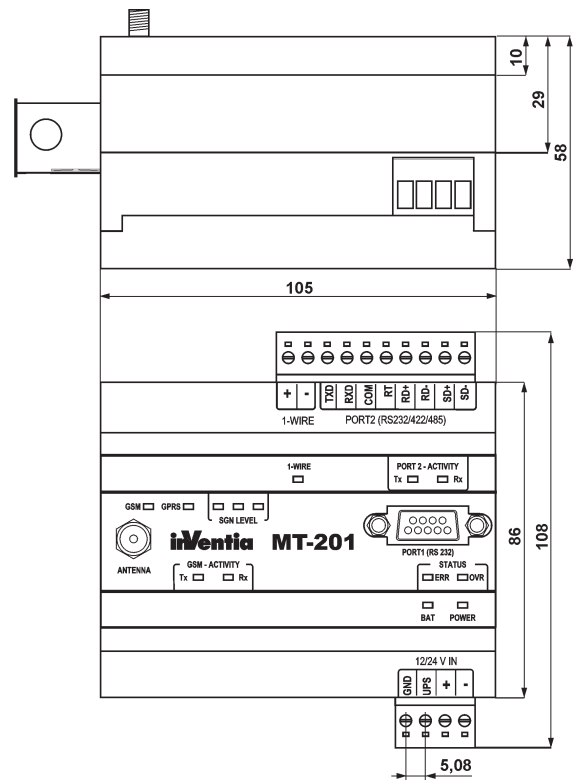
Configuration example



Configuration utility



Drawings and dimensions (in millimeters)



MT-201

AIRICOM Ile de France Paris et Nord
65 rue de la Libération - 60710 Chevrières
tél 03.44.91.04.14 - fax 03.44.91.04.15
www.airicom.com - info@airicom.com

AURECOM Bretagne et Grand Ouest
La Ville Cognac - 56430 Mauron
tél 02.97.22.79.72 - fax 02.97.22.90.51
www.aurecom.fr - info@aurecom.fr

RG2i Rhône Alpes Est et Sud-est
26 rue Bergson - 42000 Saint Etienne
tél 04.77.92.03.56 - fax 04.77.92.03.57
www.rg2i.com - info@rg2i.fr

Votre interlocuteur

Groupe **247**

TUV SUD ISO 9001

UNION FOR ENTERPREISING PEOPLE

INVENTIA complies with ISO 9001:2000 certified Quality Management System!
This project is co-financed by EUROPEAN UNION from the European Regional Development Fund resources.